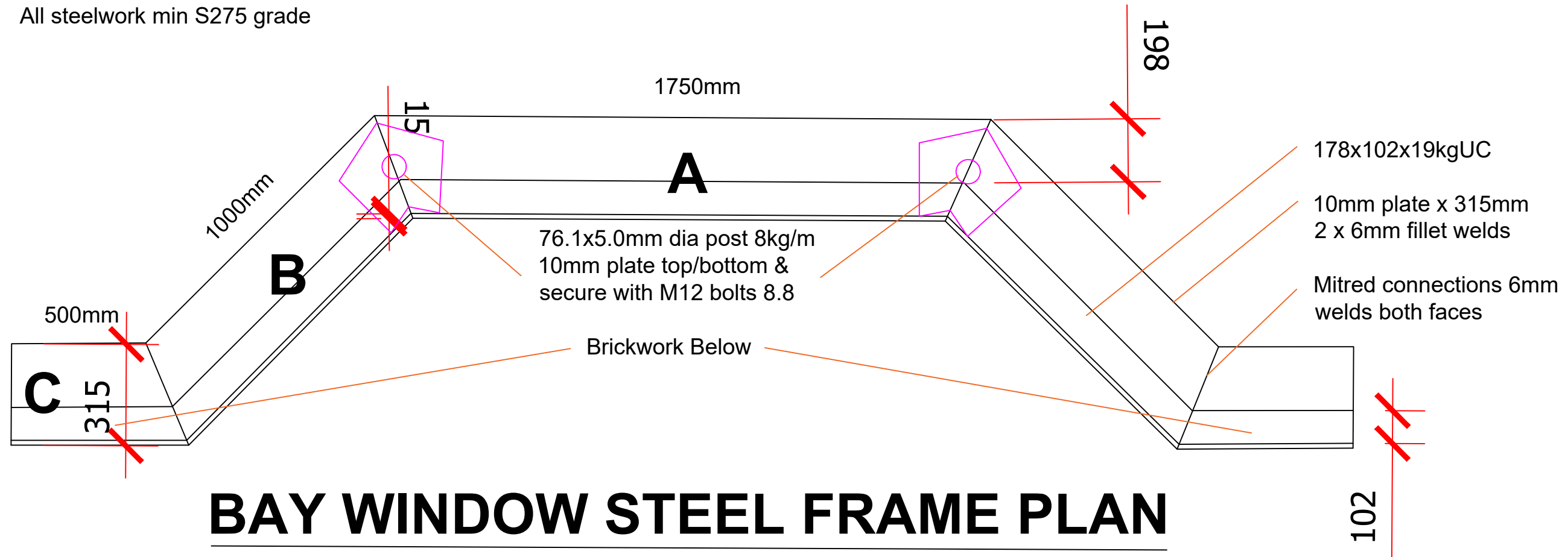


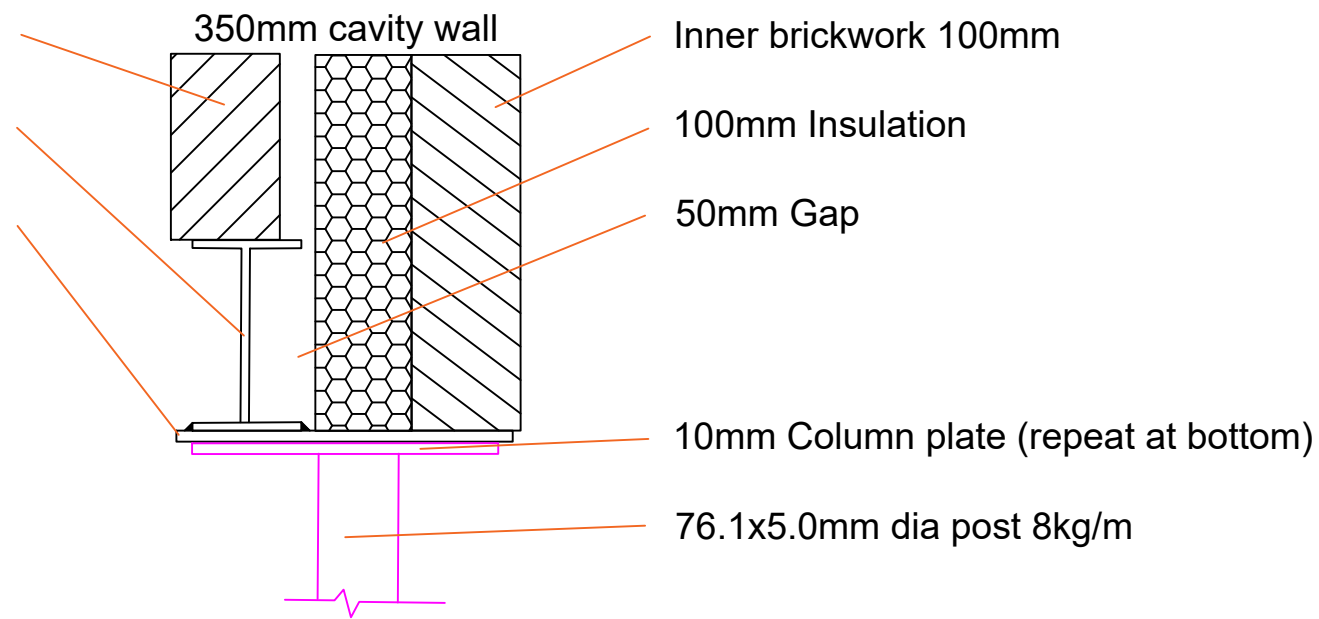
All steelwork min S275 grade



Outer brickwork 100mm

178x102x19kgUC

10mm plate x 315mm
2 x 6mm fillet welds
Do not use spot welds,
use continuous welds.



BAY WINDOW STEEL FRAME SECTION

Drawing History

REV	DATE	DESCRIPTION	DRAWN	CHKD

HomeDESIGNPLANNING APPLICATIONS.com

Summer House | Upper Court Road
Woldingham | Surrey | CR3 7BF
Tel: 0203 294 9477 07922 148 701
support@planningapplications.com
www.planningapplications.com

Title
**Bay Window Steel Frame
Ground Floor**
Project
93 Bishopton Rd TS18 4PG
Client
Mr Shy Iqbal

Job No. Drawing No. Revision
2023-78-01-
Oct 2023 1:100 @ A2